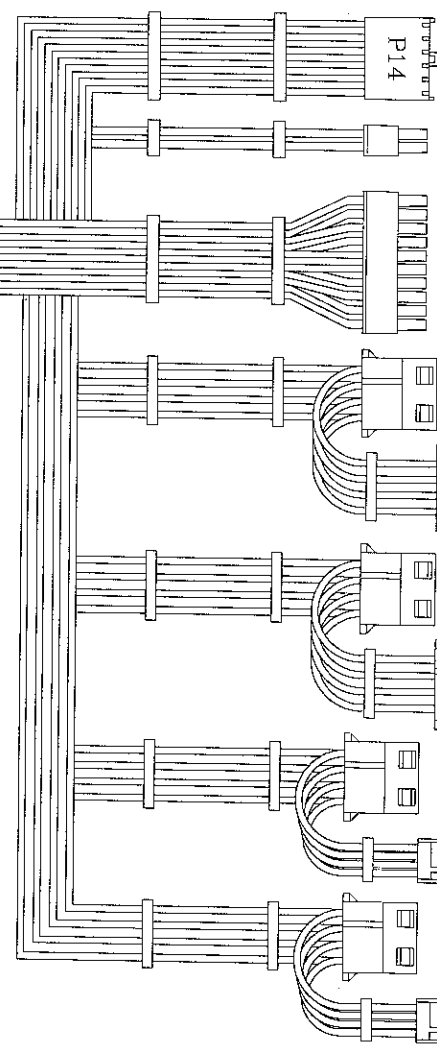
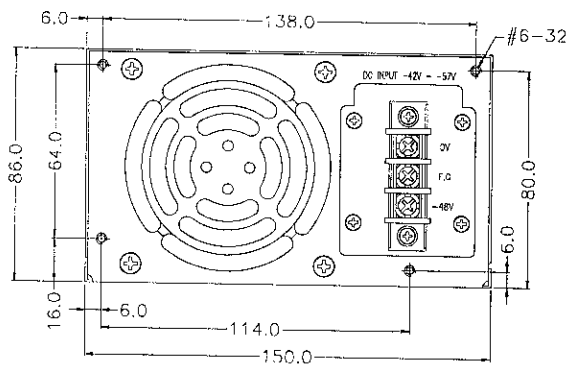
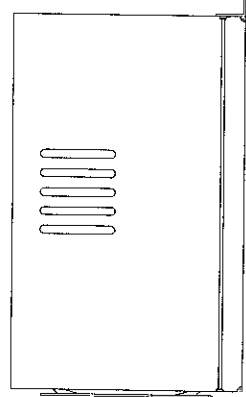
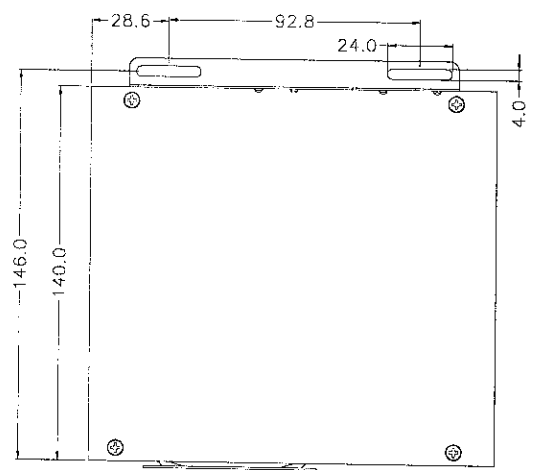
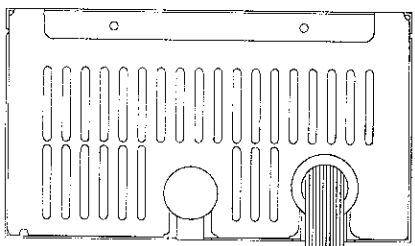




版次 REV.	修訂 REVISIONS	日期 DATE
	配述 DESCRIPTION	



P14
RED (+5V)
ORANGE (+3.3V)
ORANGE (+3.3V)
BLACK (GND)
BLACK (GND)
BLACK (GND)

BLACK (COM)
BLACK (COM)

ORANGE (+3.3 VDC)
ORANGE (+3.3 VDC)
BLACK (COM)
RED (+5 VDC)
BLACK (COM)
RED (+5 VDC)
BLACK (COM)
GREY (POK)
PURPLE (+5 Vsb)
YELLOW (+12 VDC)

YELLOW (+12V)
BLACK (GND)
BLACK (GND)
RED (+5V)

YELLOW (+12V)
BLACK (GND)
BLACK (GND)
RED (+5V)

YELLOW (+12V)
BLACK (GND)
BLACK (GND)
RED (+5V)

YELLOW (+12V)
BLACK (GND)
BLACK (GND)
RED (+5V)

YELLOW (+12V)
BLACK (GND)
BLACK (GND)
RED (+5V)

YELLOW (+12V)
BLACK (GND)
BLACK (GND)
RED (+5V)

YELLOW (+12V)
BLACK (GND)
BLACK (GND)
RED (+5V)

YELLOW (+12V)
BLACK (GND)
BLACK (GND)
RED (+5V)

1 3 YELLOW (+12 VDC) PA
2 4 YELLOW (+12 VDC)

11 ORANGE (+3.3 VDC)
12 ORANGE (+3.3 VDC)
13 BLUE (-12 VDC)
14 BLACK (COM)
15 GREEN (PS-ON)
16 BLACK (COM) P20
17 BLACK (COM)
18 WHITE (-5 VDC)
19 RED (+5 VDC)
20 RED (+5 VDC)
(HW REMOVE SENSE)

POWER CONNECTOR LENGTH					
P20	P14	PA	PB	PC	PD
450	450	450	450	200	450
PE	PF	PG	PH	PI	
200	450	200	450	200	

TOLERANCES: ±20 UNIT: mm



容許公差:
TOLERANCES:
.XXX ±.025
.XX ±.100
.X ±.250

投影法:
PROJECTION:
第三角法

材料規格:
MATERIAL:

核准者:
APPROVE BY:

審核者:
CHECK BY:

繪圖者:
DRAW BY:

日期:
DATE: OCT-21-2003

日期:
DATE: OCT-21-2003

日期:
DATE: OCT-21-2003

新巨企業股份有限公司
ZIPPY TECHNOLOGY CORP.
POWER DIVISION

品名:
MODEL NO: DD2-6300F(V)

料號:
PART NO: B000100021

圖號:
DRAW NO: DD20MW09

單位: mm 版次: B1 規格: A1 編號: OF

權號:
FILE NO: DD20MW09

權號:
SPEC: A1 編號: OF